

# Eltex Multithread yarn sensor

SMG 156



SMG is a digital piezoelectrical yarn break sensor designed to fit the Eltex 15130 and 15761 central control units. It is available with 8 to 18 eyelets.

The signals in the eyelets are electronically scanned. Each eyelet can be individually switched on or off.

Red light emitting diodes indicate yarn faults.

## ■ Application examples

The SMG 156 can be used in most applications where moving yarns or wires should be monitored.

- Sectional warpers
- Spooling machines
- Yarn preparation machines
- Cable machines

## ■ Advantages

- Senses the yarn movement
- Accepts all yarn qualities
- Fast reaction time
- Anti check
- Minimum of yarn tension
- Insensitive to dirt
- Minimum of maintenance

**ELTEX**  
OF SWEDEN



## ■ Technical features

The SMG 156 yarn sensors should be connected in parallel.

The central control unit 15130 monitors up to 100 yarn sensors (1800 eyelets).

The central control unit 15761 monitors up to 20 yarn sensors (360 eyelets).

**Eyelet diameter** 7 mm (interchangeable eyelets diam 6 mm available)

**Scanning speed** 8 ms/eyelet

**Reaction time** 8–80 ms/eyelet (internally adjustable)

**Sensitivity setting** DC voltage 0–6.5 V (normally from the central control unit)

**Minimum yarn speed** approx. 30 m/min.

**Current consumption** 25 mA/yarn sensor

**Power supply** 15–33 V DC

**Output** 15 mA / 12 V DC active high at stop

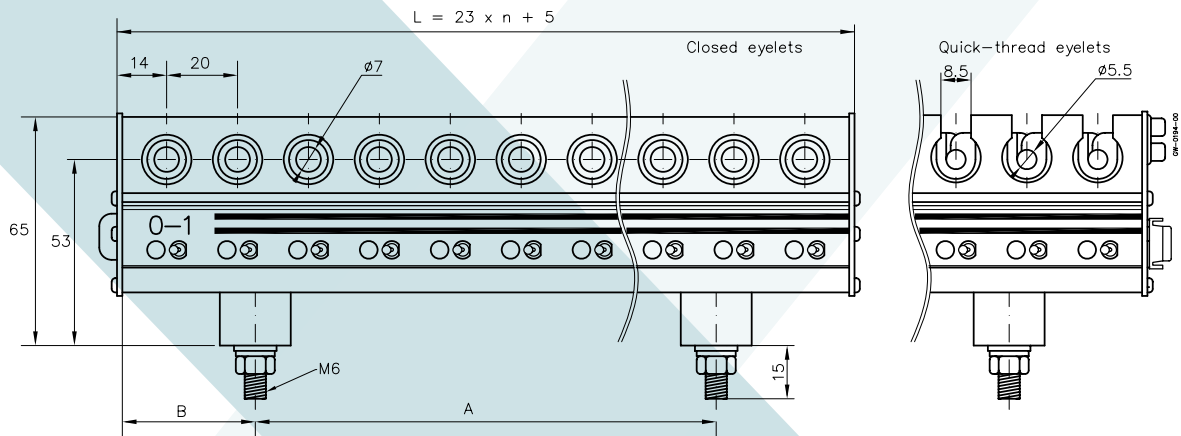
The anti check function will indicate if an eyelet is switched off by mistake. Can be combined and mixed with any of the "single head" yarn sensors with latching function. Connection through a DB9 connector, or cable.

If there are more ends per row than 18, multiple yarn sensors can be connected together in order to make an extended yarn sensor unit. The yarn sensors will then be equipped with a DB9F socket in one end and a DB9M plug in the other end.

## ■ Eltex part

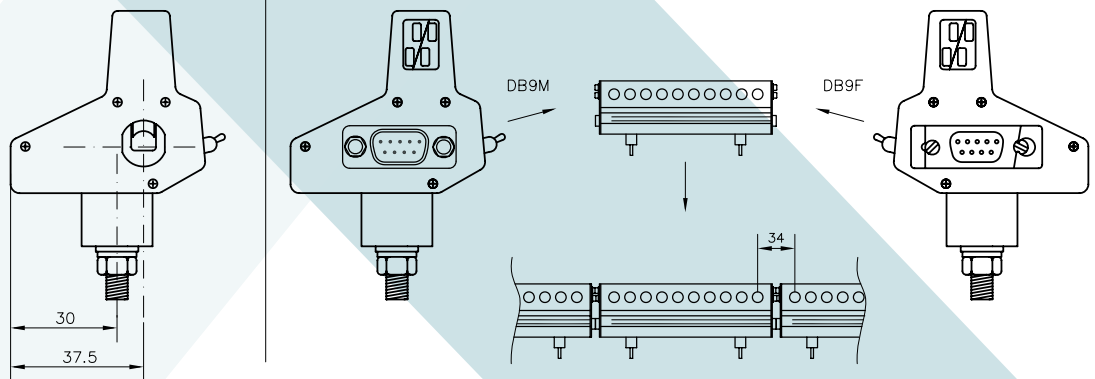
Item No	Eyelets	Connection
15890	8 closed	Screw terminal
15892	8 closed	DB9M + DB9F
15600	10 closed	Screw terminal
15602	10 closed	DB9M + DB9F
15620	12 closed	Screw terminal
15622	12 closed	DB9M + DB9F
15624	12 quick-thread	DB9M + DB9F
15640	14 closed	Screw terminal
15642	14 closed	DB9M + DB9F
15660	16 closed	Screw terminal
15662	16 closed	DB9M + DB9F
15664	16 quick-thread	DB9M + DB9F
15680	18 closed	Screw terminal
15682	18 closed	DB9M + DB9F
15684	18 quick-thread	DB9M + DB9F

## ■ Dimensions



n = number of eyelets

n	A	B
8	130	17.5
10	130	37.5
12	170	37.5
14	170	57.5
16	210	57.5
18	210	77.5



**ELTEX**  
OF SWEDEN

Box 24, SE-283 21 OSBY, Sweden | Tel: +46 479 536300 | Fax: +46 479 536399 | Email: info@eltex.se | www.eltex.se

### Eltex U.S., Inc.

13031 E. Wade Hampton Blvd.,  
GREER, South Carolina, 29651, USA  
Tel: +1 864-879-2131 | In US toll free: +1 800-421-1156  
Fax: +1 864-879-3734  
Email: sales@eltexus.com

### Eltex Manufacturing Ltd.

Railway Road,  
TEMPLEMORE, Co. Tipperary, Ireland  
Tel: +353 504-314 33  
Fax: +353 504-310 02  
Email: info@eltex.ie

### POLSA-ELTEX, S.L.

Zamora, 103 – entlo 3o,  
ES-08018 BARCELONA, Spain  
Tel: +34 93 309 00 17  
Fax: +34 93 309 59 45  
Email: polsa@infonegocio.com

### Eltex China

**China Textile Information Center**  
12, East Chang An Street, China  
Beijing, 100742  
Tel: +86 10 85229712  
junxian@fabricschina.com.cn