

Single head yarn sensor Vario



General description

The Vario is a digital piezoelectrical yarn break sensor designed to fit the Eltex central control units.

The Vario is available in signal following or latching version, to be used together with a central control unit.

It is also available with an open collector output, which can be connected directly to a computer or

to other control equipment. These models has individual gain setting.

The Vario can be individually switched on and off. A light emitting diode indicates a yarn fault.

Different eyelet models are available, and they can be mounted in different ways on the case depending on the application.

Application examples

- Spooling machines
- Roving machines
- Yarn preparation machines
- Sewing machines
- Texturizing machines
- Spinning machines
- Cable machines
- Twisters

Advantages

- Senses the movement of the yarn or cable
- Accepts all yarn qualities
- Fast reaction
- ANTI-check (latching version)
- Minimum of yarn tension
- Insensitive to dirt
- High noise immunity
- No moving parts
- Maintenance free

Technical features, following and latching types

The Vario yarn sensors are connected in parallel. They can be combined with Chrome or SMG yarn sensors. Up to 20 yarn sensors can be connected to the central control units 15752 or 15761 and up to 60 (100 if connected in 2 groups) yarn sensors to the central control unit 15130. For

indication of a section of the machine, indication units can be connected between the yarn sensors and the central control unit. Other eyelets and functions available upon request. A ribbon cable with connectors can be tailored by Eltex according to customer specifications.

Data

*) for open collector models see below

Supply voltage	15-33 V DC
Current consumption	15 mA
Output	*) 10 mA/10V DC, active high at stop
Sensitivity setting	*) Through 0-6.5 V DC voltage normally from the central control unit
Reaction time	*) 25 ms
Minimum yarn speed	Approximately 30 m/min
Minimum yarn spacing	25 mm (20 mm on request)
Switch	ON/OFF
Connection	10 conductor ribbon cable + connectors

Models, Vario following

Art.No	Eyelet
17060	Ø4 mm open
17070	Ø3 mm closed

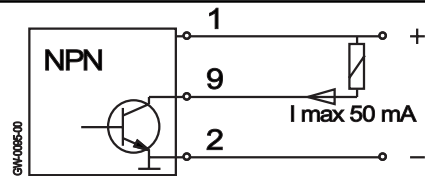
Models, Vario latching

Art.No	Eyelet
17160	Ø4 mm open
17170	Ø3 mm closed

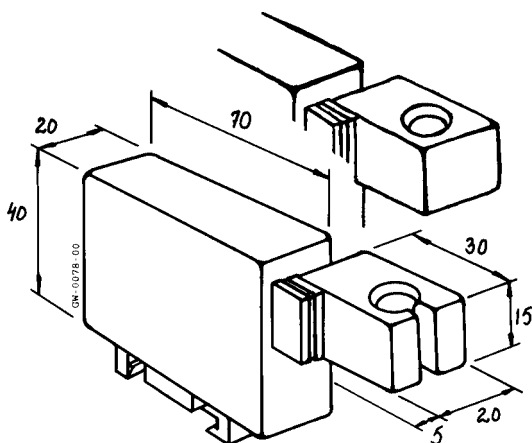
Models, Vario open collector output *)

Art.No	Eyelet	Reaction time	Notes
17040	Ø3 mm closed	100 ms	NC. Active low when yarn is not moving.
17041	Ø4 mm open	15 ms	NO. Active low at yarn movement.
17042	Ø3 mm closed	100 ms	NO. Active low at yarn movement.

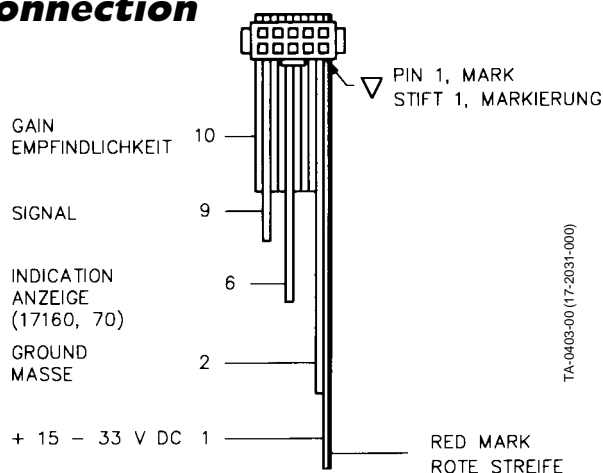
All three models: Max. 24 V/50 mA load. Individual gain setting.



Dimensions



Connection



Box 608 • SE-343 24 ELMHULT • Sweden • Tel. +46 476 488 00 • Fax +46 476 134 00
E-mail: info@eltex.se • Web: www.eltex.se

ELTEX U.S. INC.
P.O. Box 868
Greer, S C 29652-0868
USA
Tel: 864-879-2131
In U.S. toll free
1-800-421-1156
Fax: 864-879-3734
Email: sales@eltexus.com

ELTEX MFG LTD
Railway Road
Templemore, Co. Tipperary
Ireland
Tel: 504-314 33
Fax: 504-310 02
Email: info@eltex.ie

ELTEX OF SWEDEN GMBH
c/o Frank Widmann e.K.
Murgstrasse 13
DE-76337 WALDBRONN
Germany
Tel: 07243-767268
Fax: 07243-61216
Email: a.f.widmann@t-online.de

POLSA-ELTEX S.L.
Zamora, 103 - entlo 3
ES-08018 Barcelona
Spain
Tel: 093-309 00 17
Fax: 093-309 59 45
Email: polsa@infonegocio.com